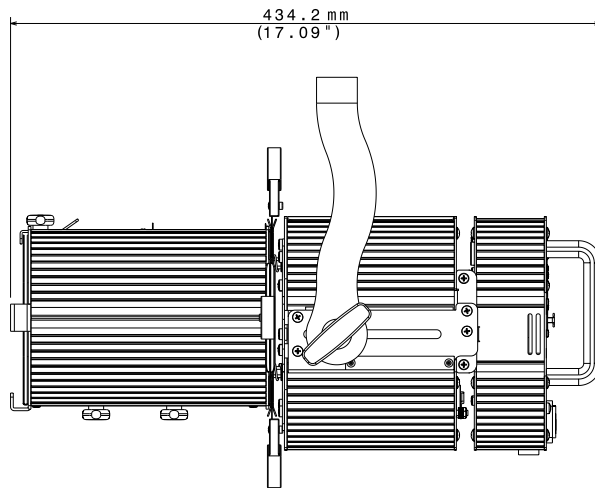
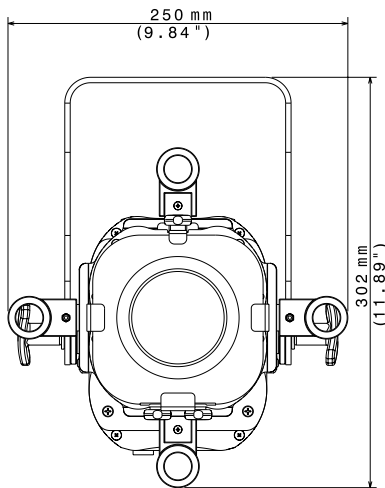




PROFILO LED 80

THE CUTTING-EDGE REPLACEMENT OF THE CONVENTIONAL 1000 W LIGHTS

PROFILO LED 80 is a **LED-based profile spot** contained in a **strong and lightweight housing**. The unit features an **internal four-shutter shaping system**, and a **20° to 36° linear zoom**. The unit is equipped with a high efficiency **80 W white LED source** available with **3000K, 4000K or 5000K color temperature**. The unit is suitable for small to medium TV studios, theatres or museums and it is a valid alternative to conventional lights.



- LED
- White Sets
- built-in PSU
- IP20
- RDM/DMX
- 10° +40°



3000 K
03.TP022.46

4000 K
03.TP023.46.F

5000 K
03.TP024.46

OUTPUT

- Single high-power White 3000K LED
- CRI > 90
- Also available with 4000K and 5000K LED
- LED lifespan: 50,000 hours (70% lumen output)

OPTICAL GROUP

20° - 36° linear zoom; High definition zoom lens with double optical condenser lens

CONTROL

- DMX 512 / RDM or Manual control
- 2 DMX channels (default); 3 DMX channel or 1 DMX channel
- 4-digit 7-segment LED display + 4 soft keys
- Internal operating system updatable via DTS dongle firmware uploader

POWER SUPPLY

- Full-range 100-240Vac 50-60 Hz
- Power consumption: 100 W max

CONNECTIONS

- Power supply: PowerCON In/Out panel connectors
- DMX: XLR 5-pole In/Out panel connectors

INTERNAL SAFETY DEVICES

Overvoltage and overtemperature circuits protection

OPERATING TEMPERATURE

-10° / 40° C

PHYSICAL

- IP20
- Internal system with four removable shutters
- Yoke featuring an exclusive round flange + clutch system
- Weight: 5.8 Kg (12.8 lbs)
- Finishing: Black

SHIPPING

- Packaging: Carton box
- Box size (LxHxD): 270 x 500 x 270 mm (10.6" x 19.7" x 10.6")
- Weight: 6.8 Kg (15 lbs)

ACCESSORIES INCLUDED

- 1 x PowerCON female cable connector (code 0520P014)
- 1 x XLR 5 pins male cable connector (code 0508B028)
- 1 x XLR 5 pins female cable connector (code 0508B027)
- 1 x Filterframe - Black finish - already mounted on the unit (code 02M00426.46)
- 4 x Shutter blades (single blade code 02SK0335)

ACCESSORIES ON REQUEST

- "C" Clamp G50 - max. Load. 10 Kg - Black finish (code 0521A012)
- "C" Clamp G60 - max. Load. 50 Kg - Black finish (code 0521A004)
- Safety cable - 0.3x60 cm - max. capacity load 60 Kg (code 0521A010)
- Gobo holder (code 03.TA224)
- Iris/diaphragm (code 03.TA223)
- DTS dongle firmware uploader (code 03.LA.206)

PHOTOMETRIC DATA

| 3000K | mt 2 | mt 4 | mt 6 | mt 8 | mt 10 |
|-------------------|---------|----------|----------|----------|----------|
| | ft 6.56 | ft 13.12 | ft 19.68 | ft 26.25 | ft 32.81 |
| lux center (lx) | 6552 | 1638 | 728 | 410 | 262 |
| foot candles (fc) | 609 | 152 | 68 | 38 | 24 |
| diameter (cm) | 71 | 141 | 212 | 282 | 353 |
| diameter (ft) | 2.31 | 4.63 | 6.94 | 9.26 | 11.57 |

| 36° | mt 2 | mt 4 | mt 6 | mt 8 | mt 10 |
|-------------------|---------|----------|----------|----------|----------|
| | ft 6.56 | ft 13.12 | ft 19.68 | ft 26.25 | ft 32.81 |
| lux center (lx) | 4528 | 1132 | 503 | 283 | 181 |
| foot candles (fc) | 421 | 105 | 47 | 26 | 17 |
| diameter (cm) | 130 | 260 | 390 | 520 | 650 |
| diameter (ft) | 4.26 | 8.53 | 12.79 | 17.06 | 21.32 |

| 4000K / 5000K | mt 2 | mt 4 | mt 6 | mt 8 | mt 10 |
|-------------------|---------|----------|----------|----------|----------|
| | ft 6.56 | ft 13.12 | ft 19.68 | ft 26.25 | ft 32.81 |
| lux center (lx) | 7445 | 1861 | 827 | 465 | 298 |
| foot candles (fc) | 692 | 173 | 77 | 43 | 28 |
| diameter (cm) | 71 | 141 | 212 | 282 | 353 |
| diameter (ft) | 2.31 | 4.63 | 6.94 | 9.26 | 11.57 |

| 36° | mt 2 | mt 4 | mt 6 | mt 8 | mt 10 |
|-------------------|---------|----------|----------|----------|----------|
| | ft 6.56 | ft 13.12 | ft 19.68 | ft 26.25 | ft 32.81 |
| lux center (lx) | 5470 | 1368 | 608 | 342 | 219 |
| foot candles (fc) | 508 | 127 | 56 | 32 | 20 |
| diameter (cm) | 130 | 260 | 390 | 520 | 650 |
| diameter (ft) | 4.26 | 8.53 | 12.79 | 17.06 | 21.32 |