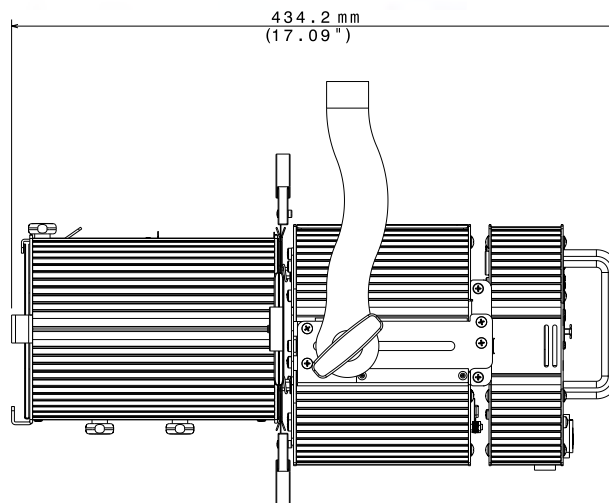
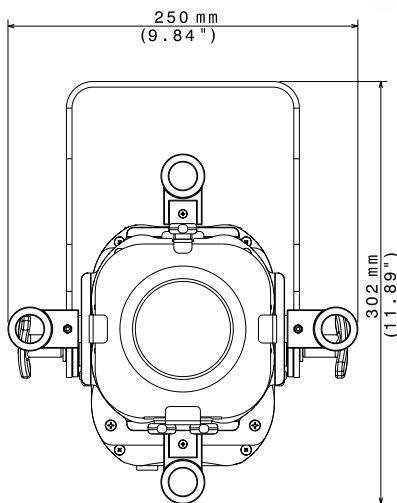




PROFILO LED 80 FC

THE CUTTING-EDGE REPLACEMENT OF THE CONVENTIONAL 1000 W PROFILERS WITH COLOR MIXING

PROFILO LED 80 FC is a LED-based profile spot contained in a strong and lightweight housing. The unit features an **internal four-shutter shaping system**, and a **20° to 36° linear zoom**. The unit is equipped with a **high efficiency 80 W Full Color LED source**, and it can create over 16 million colors. PROFILO LED 80 FC is suitable for small to medium TV studios, theatres or museums and it is a versatile alternative to conventional lights.



LED	FC Full Color	built-in PSU	IP20	RDM/DMX	°C -10° +40°
-----	------------------	--------------	------	---------	-----------------



03.TP020.46

OUTPUT

- Single high-power Full Color (RGBW) LED
- LED lifespan: 50,000 hours (70% lumen output)

OPTICAL GROUP

- 20° - 36° linear zoom
- High definition zoom lens with double optical condenser lens

COLOR GENERATION

- 16 million colors
- Wide palette of pure uniform whites with variable linear color

temperature (2700K - 8000K)

CONTROL

- DMX 512 / RDM
- 10 DMX channels (default)
- 4-digit 7-segment LED display + 4 soft keys
- Internal operating system updatable via DTS dongle firmware uploader

POWER SUPPLY

- Full-range 100-240Vac 50-60 Hz
- Power consumption: 100 W max

CONNECTIONS

- Power supply: PowerCON In/Out panel connectors
- DMX: XLR 5-pole In/Out panel connectors

INTERNAL SAFETY DEVICES

Overvoltage and overtemperature circuits protection

OPERATING TEMPERATURE

-10° / 40°C

PHYSICAL

- IP20
- Internal system with four removable shutters
- Yoke featuring an exclusive round flange + clutch system
- Weight: 5.8 Kg (12.8 lbs)
- Finishing: Black

SHIPPING

- Packaging: Carton box
- Box size (LxHxD): 270 x 500 x 270 mm (10.6" x 19.7" x 10.6")
- Weight: 6.8 Kg (15 lbs)

ACCESSORIES INCLUDED

- 1 x PowerCON female cable connector (code 0520P014)
- 1 x XLR 5 pins male cable connector (code 0508B028)
- 1 x XLR 5 pins female cable connector (code 0508B027)
- 1 x Filterframe - Black finish - already mounted on the unit (code 02M00426.46)
- 4 x Shutter blades (single blade code 02SK0335)

ACCESSORIES ON REQUEST

- "C" Clamp G50 - max. Load. 10 Kg - Black finish (code 0521A012)
- "C" Clamp G60 - max. Load. 50 Kg - Black finish (code 0521A004)
- Safety cable - 0.3x60 cm - max. capacity load 60 Kg (code 0521A010)
- Gobo holder (code 03.TA224)
- Iris/diaphragm (code 03.TA223)
- DTS dongle firmware uploader (code 03.LA.206)

PHOTOMETRIC DATA

	mt 2 ft 6.56	mt 4 ft 13.12	mt 6 ft 19.68	mt 8 ft 26.25	mt 10 ft 32.81
BEAM ANGLE 20°					
lux center (lx)	5784	1446	643	362	231
foot candles (fc)	538	134	60	34	22
diameter (cm)	71	141	212	282	353
diameter (ft)	2.31	4.63	6.94	9.26	11.57
BEAM ANGLE 36°					
lux center (lx)	1592	398	177	100	64
foot candles (fc)	148	37	16	9	6
diameter (cm)	130	260	390	520	650
diameter (ft)	4.26	8.53	12.79	17.06	21.32