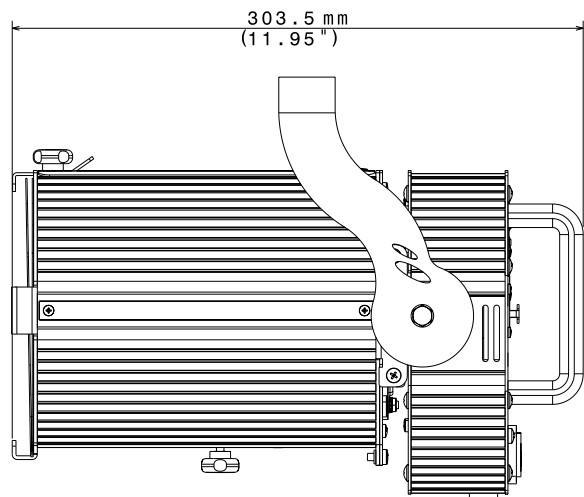
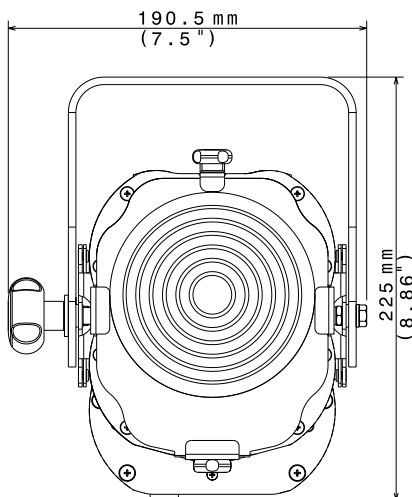




# SCENA LED 80

## THE CUTTING-EDGE REPLACEMENT OF THE CONVENTIONAL 1000 W LIGHTS

SCENA LED 80 is a LED-based projector in a very compact and lightweight size. The unit is equipped with an **high performance white LED source** (available with different color temperature: 3000K, 4000K or 5000K), **coupled with a 14° - 77° high-efficiency linear zoom**. These layout makes the unit particularly suitable for theatres, TV studios and **it is a real alternative to 1000 W conventional lights**.



LED	White Sets	built-in PSU	IP20	RDM/DMX	-10° +40°
-----	------------	--------------	------	---------	-----------



FRESNEL 3000K  
03.TS031.46.F

FRESNEL 4000K  
03.TS032.46.F

FRESNEL 5000K  
03.TS033.46.F

MOTORIZED ZOOM VERSION AVAILABLE ON DEMAND

### OUTPUT

- Single high-power White 3000K LED
- CRI > 90
- Also available with 4000K and 5000K LEDs
- LED lifespan: 50,000 hours (70% lumen output)

### OPTICAL GROUP

- Ø 112 mm Fresnel lens
- 14°- 77° linear zoom

### CONTROL

- DMX 512 / RDM
- 2 DMX channels (default); 3 DMX channel or 1 DMX channel
- 4-digit 7-segment LED display + 4 soft keys
- Internal operating system updatable via DTS dongle firmware uploader

### POWER SUPPLY

- Full-range 100-240Vac 50-60 Hz
- Power consumption: 100 W max

### CONNECTIONS

- PowerCON In&Out panel connectors
- DMX: XLR 5-pole In/Out panel connectors

### INTERNAL SAFETY DEVICES

Overvoltage and overtemperature circuits protection

### OPERATING TEMPERATURE

-10° / 40° C

### PHYSICAL

- IP20
- Weight: 4.1 Kg (8.1 lbs)
- Finishing: Black

### SHIPPING

- Packaging: Carton box
- Box size (LxHxD): 230 x 370 x 230 mm (9.1" x 10.6" x 9.1")
- Weight: 5.3 Kg (11.7 lbs)

### ACCESSORIES INCLUDED

- 1 x PowerCON female cable connector (code 0520P014)
- 1 x XLR 5 pins female cable connector (code 0508B027)
- 1 x XLR 5 pins male cable connector (code 0508B028)
- 1 x Filterframe Black finishing - already installed on the projector (code 02M093278.46)

### ACCESSORIES ON REQUEST

- Barndoor Black finishing (code 03.TA206)
- G50 "C" Clamp - max. Load 10 Kg (code 0521A012)
- "C" Clamp G60 - max. Load 50 Kg (code 0521A004)
- Safety cable - 0.3x60 cm - max. capacity load 60 Kg (code 0521A010)
- DTS dongle firmware uploader (code 03.LA.206)

### PHOTOMETRIC DATA

		3000K	mt 2 ft 6.56	mt 4 ft 13.12	mt 6 ft 19.68	mt 8 ft 26.25	mt 10 ft 32.81
BEAM ANGLE 14° @50%	lux center (lx)	7145	1786	794	447	286	
	foot candles (fc)	664	166	74	42	27	
	diameter (cm)	49	98	147	196	246	
	diameter (ft)	1.61	3.22	4.83	6.45	8.06	
BEAM ANGLE 77° @10%	lux center (lx)	1399	350	155	87	56	
	foot candles (fc)	130	33	14	8	5	
	diameter (cm)	318	636	955	1273	1591	
	diameter (ft)	10.44	20.88	31.32	41.75	52.19	

		4000K / 5000K	mt 2 ft 6.56	mt 4 ft 13.12	mt 6 ft 19.68	mt 8 ft 26.25	mt 10 ft 32.81
BEAM ANGLE 14° @50%	lux center (lx)	8146	2037	905	509	326	
	foot candles (fc)	757	189	84	47	30	
	diameter (cm)	49	98	147	196	246	
	diameter (ft)	1.61	3.22	4.83	6.45	8.06	
BEAM ANGLE 77° @10%	lux center (lx)	1653	413	184	103	66	
	foot candles (fc)	154	38	17	10	6	
	diameter (cm)	318	636	955	1273	1591	
	diameter (ft)	10.44	20.88	31.32	41.75	52.19	