

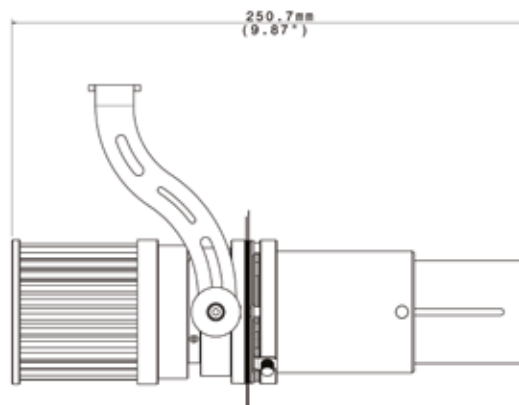
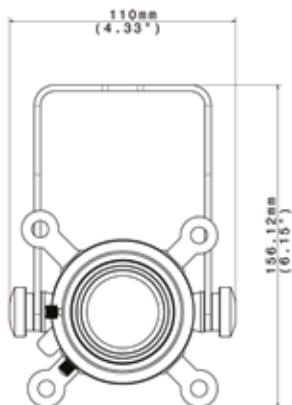


ARTEMIO PROFILE

ULTRA COMPACT, VERY BRIGHT LED PROFILER
CUSTOMIZABLE WITH DIFFERENT OPTICS

ARTEMIO PROFILE is an ultra compact profiler featuring an **internal four-shutter shaping system**.

The unit is extra-versatile: in fact you can combine the light body with any of **5 different optics available**, to fit any application with the right beam angle. The unit is equipped with a single high-power 25 W white LED and it is **powered by a DRIVENET series external PSU**. Thanks to a dedicated kit is possible to instal the fixture on electrified rails.



3000 K 03.ART002	4000 K 03.ART009	5000 K 03.ART011	OPTICAL GROUP:	UN LENS 8° 03.ART003	SP LENS 13° 03.ART013	SP LENS 18° 03.ART004	MF LENS 24° 03.ART005	WF LENS 33° 03.ART006
---------------------	---------------------	---------------------	-------------------	-------------------------	--------------------------	--------------------------	--------------------------	--------------------------

OUTPUT

- Single high-power White 3000 K LED
- 1,830 Lumens
- CRI >90
- Also available with 4000 K or 5000 K LED
- LED lifespan: 50,000 hours (70% lumen output)

OPTICAL GROUP

- 5 interchangeable lenses for different beam angles
- Ultra-Narrow (8°)
- Narrow (13°)
- Narrow (18°)
- Medium (24°)
- Wide (33°)

- Linear Focus with double optical condenser lens

GOBOS

- Gobo metal or glass
- Ø external: 24.5 mm (+0 / -0.1 mm)
- Ø of image: 15mm
- Thickness: max 1.1 mm

CONTROL

- On-Off / DMX 512 / RDM / DALI / Art-Net (external driver is required)

POWER SUPPLY

- External PSU:
 - DRIVENET 28C DIN @48Vdc
 - DRIVENET 28 EZ / 416 / 832 PSU (Full-range 100-240Vac 50-60 Hz)
 - DRIVENET 1664 PSU (range 180-240Vac 50-60 Hz)
 - External 36Vdc 700mA max Constant Current PSU
- Power consumption: 25 W max

CONNECTIONS

- Power supply: 2 x 0,5 mm² cable (2 m length)

OPERATING TEMPERATURE

-10° / 40° C

PHYSICAL

- IP20
- Internal system with four removable shutters
- Adjusting yoke
- Weight: 1.1 Kg (2.43 lbs)
- Finishing: Black

SHIPPING

- Packaging: Carton box
- Box size for 4 units (LxHxD): 335 x 300 x 315 mm (13.2" x 11.8" x 12.4")
- Weight: 5 Kg (11 lbs)

CONNECTIONS CHART

DRIVENET 28C DIN @48Vdc	DRIVENET 28 EZ	DRIVENET 416	DRIVENET 832	DRIVENET 1664
Max 8 (4 items per output)	Max 8 (4 items per output)	Max 16 (4 items per output)	Max 32 (4 items per output)	Max 64 (4 items per output)

ACCESSORIES ON REQUEST

- Filter holder (code 03.ART015)
- Holographic filter soft-edge (code 0506A132.D19)
- Holographic filter 60°x10° (code 0506A092.D19)
- Gobo holder (code 03.ART007)
- Shutter blade (code 03.ART016)
- 2 x 0,5 mm² cable (code 0509C120)
- "C" Clamp G50 - Max. Load 10 Kg (code 0521A012)
- Safety cable 3 mm x 60 cm, max capacity load 60 Kg (code 0521A010)

- Constant current PSU 700mA 9-48Vdc *IP67 (code 0502T031)
- Constant current PSU 500-1400mA 60W *Push Dimming *DALI *230Vac (code 0514M240)
- Constant current PSU 500-1400mA 60W *Push Dimming *DALI *100Vac (code 0514M241)

ACCESSORIES FOR ELECTRIFIED RAIL MOUNTING

- Track adapter on-off - black finishing (code 03.LA.232)
- Track adapter Dali - black finishing (code 03.LA.233)

PHOTOMETRIC DATA

LED current 700mA

BEAM ANGLE 8°	3000 K	mt 2 ft 6.56	mt 4 ft 13.12	mt 6 ft 19.68	mt 8 ft 26.25	mt 10 ft 32.81
	lux center (lx)	4136	1034	460	258	165
	foot candles (fc)	384	96	43	24	15
	diameter (cm)	28	56	84	112	140
	diameter (ft)	0.92	1.84	2.75	3.67	4.59

BEAM ANGLE 24°	3000 K	mt 2 ft 6.56	mt 4 ft 13.12	mt 6 ft 19.68	mt 8 ft 26.25	mt 10 ft 32.81
	lux center (lx)	1193	298	133	75	48
	foot candles (fc)	111	28	12	7	4
	diameter (cm)	85	170	255	340	425
	diameter (ft)	2.79	5.58	8.37	11.16	13.95

BEAM ANGLE 13°	3000 K	mt 2 ft 6.56	mt 4 ft 13.12	mt 6 ft 19.68	mt 8 ft 26.25	mt 10 ft 32.81
	lux center (lx)	3332	833	370	208	133
	foot candles (fc)	310	77	34	19	12
	diameter (cm)	46	91	137	182	228
	diameter (ft)	1.50	2.99	4.49	5.98	7.48

BEAM ANGLE 33°	3000 K	mt 2 ft 6.56	mt 4 ft 13.12	mt 6 ft 19.68	mt 8 ft 26.25	mt 10 ft 32.81
	lux center (lx)	603	151	67	38	24
	foot candles (fc)	56	14	6	4	2
	diameter (cm)	118	237	355	474	592
	diameter (ft)	3.89	7.77	11.66	15.55	19.44

BEAM ANGLE 18°	3000 K	mt 2 ft 6.56	mt 4 ft 13.12	mt 6 ft 19.68	mt 8 ft 26.25	mt 10 ft 32.81
	lux center (lx)	1562	390	174	98	62
	foot candles (fc)	145	36	16	9	6
	diameter (cm)	63	127	190	253	317
	diameter (ft)	2.08	4.16	6.24	8.31	10.39