

CONNECT RX100s

exalux

<http://exalux.eu/products/connect-rx100s/>

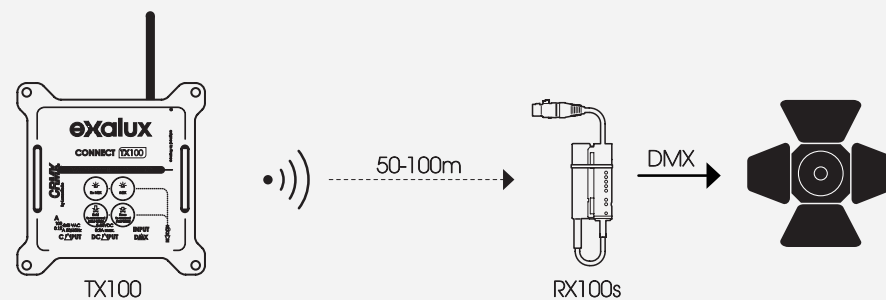
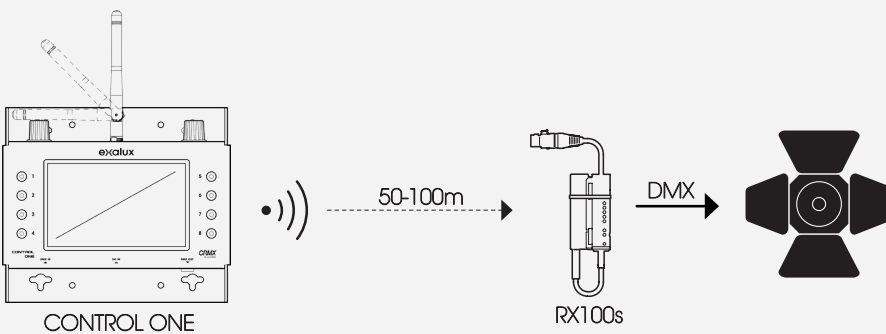
EXALUX™ CONNECT RX100s is a professional Standalone Wireless DMX receiver based on LumenRadio™ CRMX technology.



EXALUX™ CONNECT RX100s is a **standalone wireless DMX receiver** especially designed to be powered through the **USB connectors** of a LED panel. RX100s can also run up to 10 hours with the small EXALUX PowerBank battery.

CONNECT RX100s **suits with any LED fixture** thanks to the flexible «connector on cable» system.

RX100s CRMX receiver works perfectly with the EXALUX™ CONNECT CRMX family such as TX100. It also works perfectly with other CRMX devices available on the market such as EXALUX CONTROL ONE.



PARTS & ACCESSORIES

RX100s Basic	CNT.000.005
5VDC/2Ah PowerBank+XLR cable	PSU.002.010

KITS

Control One Starter + 2 RX100s	CTL.002.002
--------------------------------	-------------

Wireless with Exalux's DNA

CRMX by LumenRadio™ Inside
1 universe / 512 channels
USB/battery powered
Small form factor



User-centric

Easily connectable to all fixtures
Plug & play
Wireless level indicator



Reliability & freedom

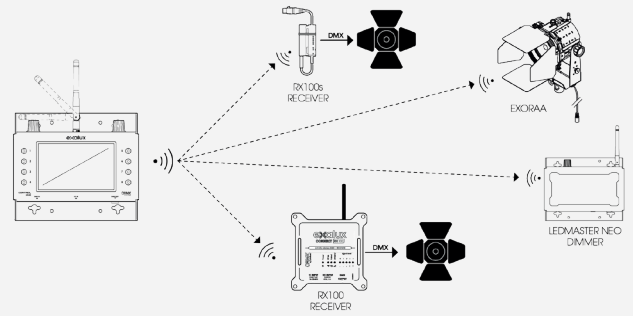
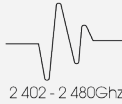
Rugged design
Internal antenna
DMX fidelity without any latency

exalux
exalux.eu

ABOUT CRMX By LUMEN RADIO

Based on LumenRadio™ CRMX technology, EXALUX™ CONNECT RX100s brings **DMX fidelity without any latency**.

CRMX by LumenRadio™ patented Cognitive Coexistence technologies allows our wireless solutions to ensure optimum performance even when other wireless systems are operating in the same area.



TECHNICAL SPECIFICATIONS

Power Connection	Micro USB
Control	Unlink (switch), Power, RF link, Paired, DMX, Signal level (LED)
Power Consumption	~0,6W
Housing / construction	Polyoxyméthylène / Aluminium
IP Rating	IP20
Certifications	CE, RoHS
Weight	150g

RADIO INTERFACE

Standard / technology	CRMX by LumenRadio™
Frequency	2,402 ~ 2,480 GHz
Antenna connector	Internal, chip on PCB
RF output	20 dBm (100mW)
RF modulation	GFSK
Range	Up to 50m (depending on the receiver and the environment)

DMX INTERFACE

Protocol	DMX512-A
Universe support	1
DMX frame rate	0,8-7352 Hz
End to end latency	< 5ms
DMX output	Neutrik XLR 5 pin female

OPERATING CONDITIONS

		Min	Typ	Max	
Input Voltage (USB)	V _{in}	3,5	5	5,5	Vdc
Storage T°	T _{st}	-30		+80	°C
Operating T°	T _{op}	-20	25	+70	°C

DIMENSIONS

