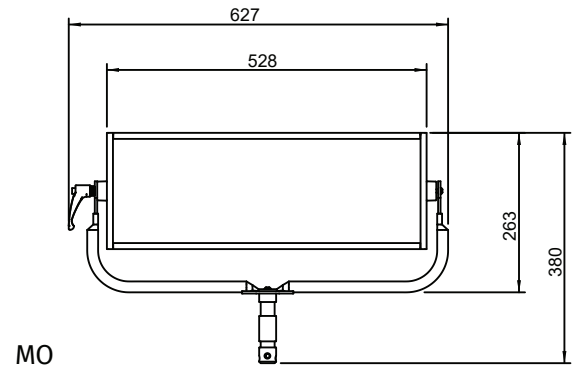


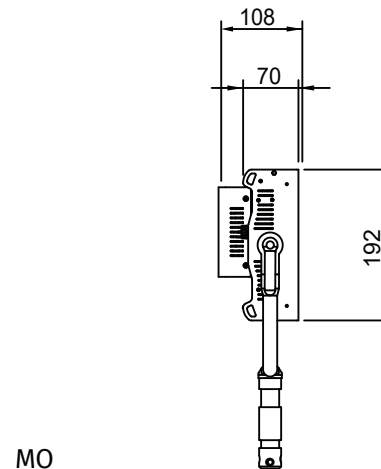


## Technical features

Power to LED	90 W
Detachable power supply	90 – 264 V, AC 50 – 60 Hz
Tilt recommended angle of use	-90° / 0° / 90°
IP rating	IP 20
Max operating ambient temperature	0° - 40°
Beam angle	115°
Correlated Color Temperature	2700 K to 6500 K
CRI	> 96 at 5600K > 94 at 3200K
Cooling	no noise, fanless
Dimming	0 to 100% continuous, fully adjustable
Control	Local control by encoder for dimming and color settings, DMX/RDM
Connection	DMX In and Through, USB port for software and new features upgrade
Estimated LED lifetime	more than 50,000 hours
Battery Connector	4-Pin XLR
Battery type	V-Mount
Battery mode light output	50% of total output
Weight	Manual version: 7,3 kg Pole op. version: 8.2 Kg



MO



MO

## Photometrics Data

Distance (m)	2	3	4	5
3200K (115°)	923	410	231	148
5600K (115°)	1013	450	253	162

Technical specifications and data are provided for guidance only. Due to improvement in technology and/or in products, all product, specs and data are subject to change without notice. COSMOLIGHT accepts no liability for any errors, inaccuracies or incompleteness contained herein.