



Cineo ReFlex R15: a different class of production lighting tool that re-defines high-output hard sources.

ReFlex harnesses several patented, groundbreaking technologies to deliver over 90,000 lumens of color-accurate digital lighting on less than 1,500 watts. By providing variable CCT from 2700K to 6500K, it can outperform both tungsten and HMI sources, eliminating the deficiencies of traditional sources:

- 0-100% color-stable dimming
- On-board DMX and network control
- No hot re-strike delays
- No hot surfaces! – you can touch the bulb @ 100% power
- Instantaneous response for dynamic lighting effects
- 70,000 hour operation between bulb replacements
- Flicker-free to 10,000 fps
- Operates without a ballast on household circuits

Spot-to-flood adjustment from 15 to 75 degrees is accomplished electronically, making it remotely - and instantly adjustable. The R15 creates a single high-quality shadow at any beam angle, with a flat exposure level across the beam. Plus, the new Beam Shape and BeamK tools open a whole new realm of possibilities impossible with traditional sources.

Cineo has completely re-designed its control strategy, making it as easy to use as your smart phone. A full complement of remote control protocols are supported including DMX/RDM and CRMX wireless, with sACN, ArtNet and network remote control soon available. All this in a completely integrated, weather-resistant package weighing 75 lbs.

The ReFlex can be fitted with a variety of soft accessories, including Snapbags®, lanterns and spacelight bags and ships complete with a custom road case.

Specifications

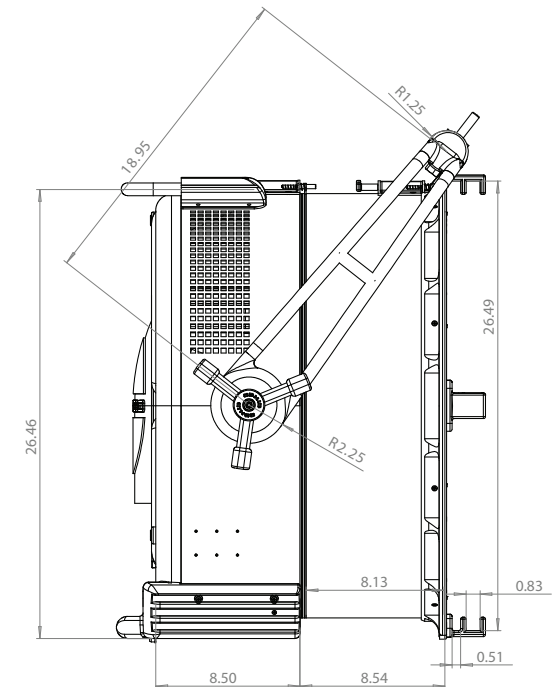
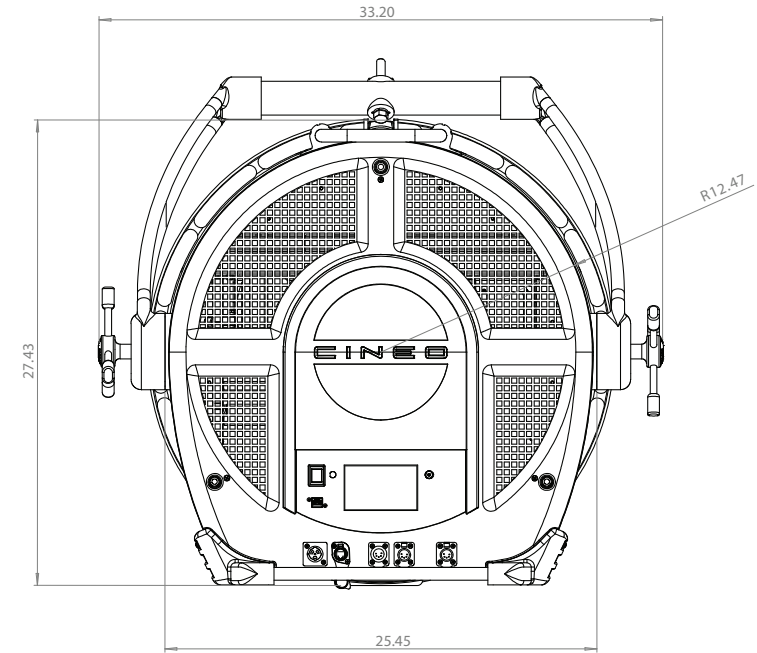
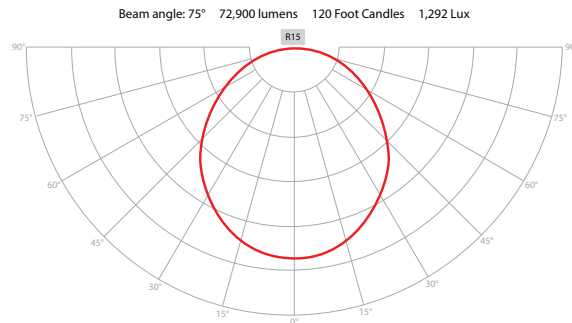
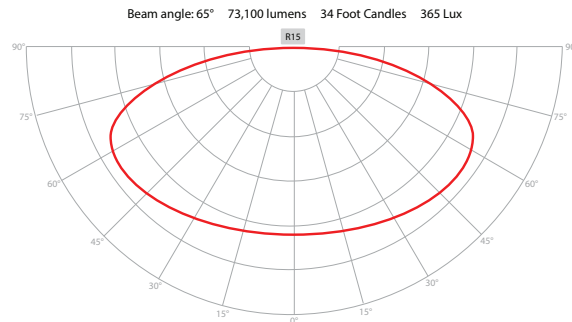
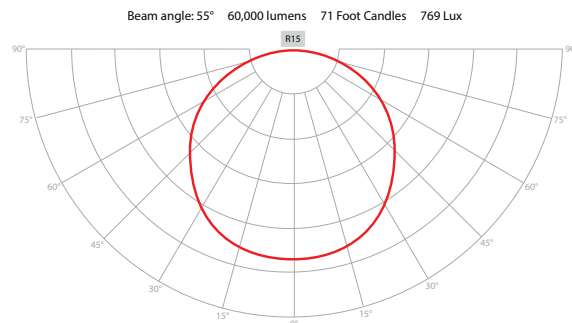
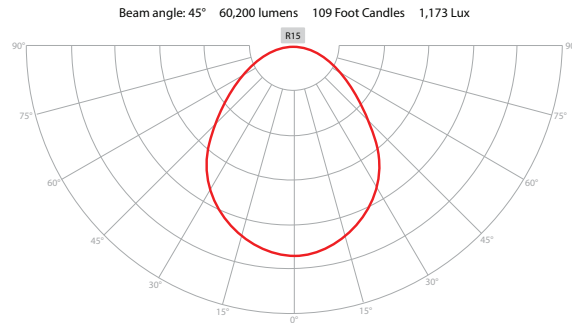
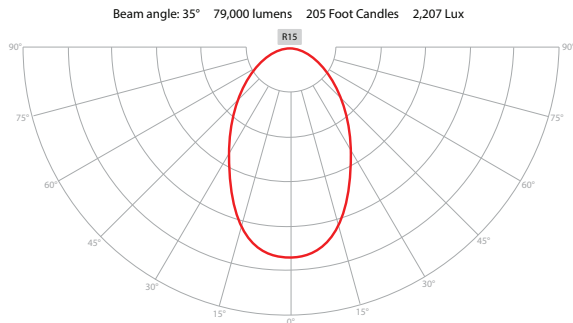
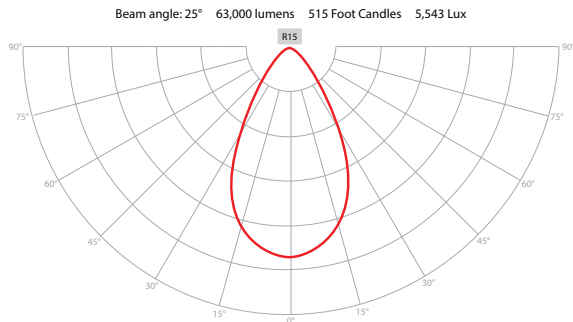
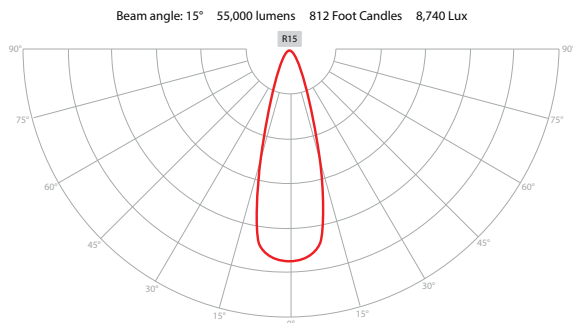
90,000 lumen maximum output
Variable white light: 2700-6500K
CRle: 90-96
Digitally variable flat field beam angle: 15° to 75°, local or remote control
Flicker-free dimming, 0-100%, up to 10,000fps
Intuitive touchscreen local control
5-pin wired DMX/RDM In, Thru and Re-gen
Integrated Lumen Radio™ CRMX wireless control
sACN, ArtNet, remote operation via Ethernet and Wifi
Presets and dynamic effects can be created, stored and transferred
Software updates via network or USB
Removable reflector with optional soft lighting accessories
Mounting yoke includes removable Junior Pin
Reinforced hang points for top-hanging
Input Power: 110-240VAC 1500 watts max.
Integrated power supply
Fixture Size: 19"l. x 33"w. x 26" dia. (48.3cm l. x 84cm w. x 66cm d.)
Weight: 75 lbs. (34 kg.)
Quiet, active cooling
Suitable for operation in damp locations
Environmental temperature range: -20°C - +40° C Max. temperature rise: +40° C
ETL, cETL, CE pending

ReFlex Beam Control

Unlike conventional hard light fixtures, ReFlex uses nine coaxial lighting zones to create its beam structure. These have been pre-programmed to emulate a basic spot-to-flood control; however more elaborate beam shapes and CCT combinations can be created real-time, stored and recalled using the Beam Shape and BeamK controls.

These charts demonstrate the basic beam control at 20 feet (6m) @5600K. The 15° chart shows characteristics at the “spot” setting, while a standard “flood” setting is shown at 55°. The 65° beam angle projects a very broad, soft spread, whereas the 75° is a wide flood with a hot center.

ReFlex can maintain consistent light output across the entire beam, regardless of the beam width.



Specifications are subject to change without notice. Cineo Lighting and Cineo ReFlex R15 are registered trademarks of NBCUniversal. LLC. ©2020 Universal City Studios, LLC. v011.04.20

Sales: 818.777.1825 cineolighting.com

Rentals: 818.684.0935 universalstudioslot.com